

PRODUCT INFORMATION PACKET

Model No: 5KC35JN10X

Catalog No: C148

.25 HP General Purpose Motor, 1 phase, 1800 RPM, 115/208-230 V, 48 Frame, ODP
Single Phase ODP Motors



Nameplate Specifications

Output HP	0.25 Hp	Output KW	0.19 kW
Frequency	60 Hz	Voltage	115/208-230 V
Current	5.2 A	Speed	1725 rpm
Service Factor	1.35	Phase	1
Efficiency	0 %	Power Factor	0
Duty	Continuous	Insulation Class	B
KVA Code	N	Frame	48
Enclosure	Drip Proof	Thermal Protection	AUTO
Ambient Temperature	40 °C	Drive End Bearing Size	6203
Opp Drive End Bearing Size	6203	UL	Recognized
CSA	Y	CE	N

Technical Specifications

Electrical Type	Capacitor start(CSIR)	Starting Method	SM
Poles	4	Rotation	Counterclockwise/Clockwise
Mounting	Rigid Base	Motor Orientation	Any
Drive End Bearing	Ball	Opp Drive End Bearing	Ball
Overall Length	9.25 in	Frame Length	5.79 in
Shaft Extension	.500 X 1.50-1.16 FLAT in		
Connection Drawing	52A105383AA	Outline Drawing	52A109319P1

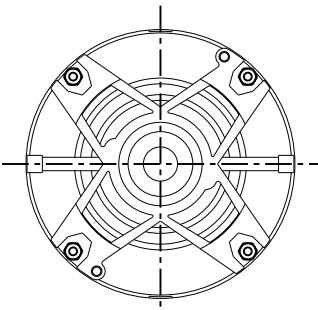
This is an uncontrolled document once printed or downloaded and is subject to change without notice. Date Created:02/11/2020

THIRD ANGLE PROJECTION



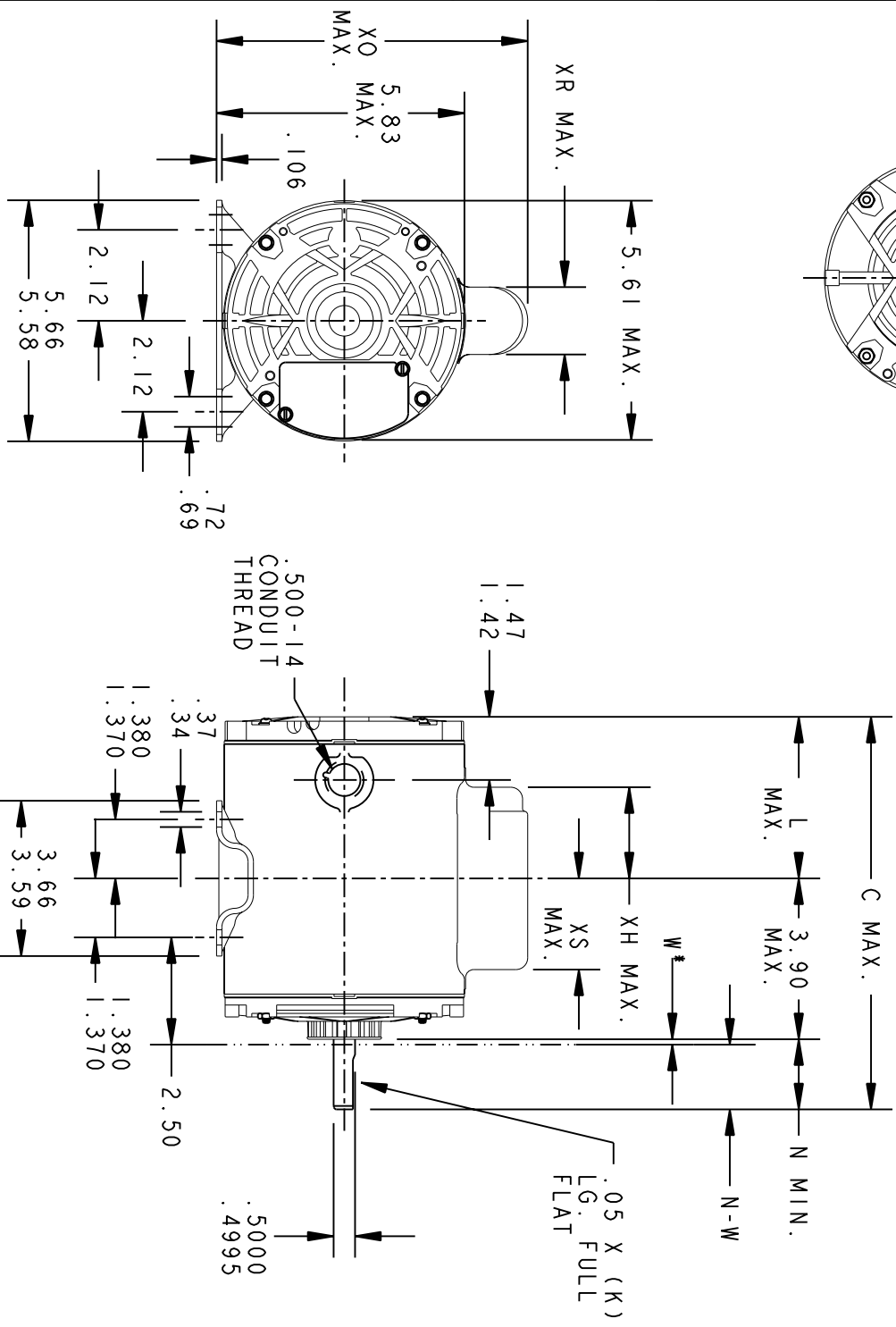
REVISIONS

REV.	DESCRIPTION	DATE	APPROVED
1	CHG TO RBC FORMAT PER ISO5-1777	03/10/06	SUDHA



VIEW SHOWING P. E. VENTILATION OPENINGS

* IS A CLEARANCE DUE TO VARIATION IN PARTS AND ASSEMBLY.



P	TYPE	GE SIZE	NEMA FR	C	K	L	N	N-W	XH	XO	XR	XS
1	KC	35	48	9.25	1.16	3.79	1.50	1.63/1.41	2.53	7.31	1.60	1.94

SIGNATURES	DATE
MODEL	07/15/93
MA MARKS	
DETAIL	
CHECKED	
ENGRG	
MFG	
QUALITY	
ISSUED	07/15/93
M.A.M.	



REGAL-BELOTT CORPORATION

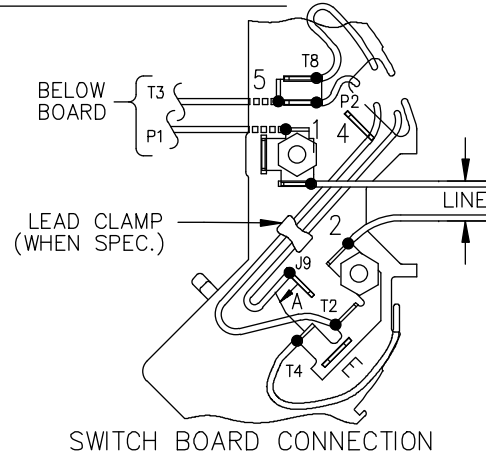
OUTLINE

FORM N - GENERAL PURPOSE MOTOR - DRIP PROOF
 WELDED BASE - BALL OR SLEEVE BEARING FMF: 5KC35JM3H

FOR ADDITIONAL INFO REFER TO:	
APPLIED PRACTICES	ISSUED
DIMENSIONS ARE IN INCHES	M.A.M.
	07/15/93
	SOLID MODEL: 52A109319

TITLE	SCALE: 0.250	REF. No.:	SHEET 1 of 1
SIZE DRAWING	A		
REV	52A109319		

EITHER ROTATION, DUAL VOLTAGE, TYPE KC OR KH, WITH THERMAL PROTECTION



NOTE #1 - START CAP & J9 WHEN SPECIFIED (*). IF NO CAPACITOR (KH), CONNECT T5 DIRECTLY TO SWITCH (A). WHEN MORE THAN ONE CAPACITOR IS USED, CONNECT IN PARALLEL.

NOTE #2 - TO REVERSE ROTATION, INTER CHANGE RD(T8) AND BLK(J9-KC OR T5-KH) LEADS.

SWITCH REF. - 115D958AB	CONNECTION LABEL	CCW ROTATION: NP52X332051AA
		CW ROTATION: NP52X332051AC

NO.	REVISION	BY & DATE	CHK	TOLERANCES UNLESS SPECIFIED		FINISH	DRAWN M.D.P 06/29/87	
				DEC.	INCHES			
				.X	±0.1	REGAL-BELOIT CORPORATION	CHK	
				.XX	±0.02		TITLE	APPD M.D.P 03/26/96
5	ADDED CONNECTION LABEL PER ECO-0030779	UD 02/06/13	PKG	.XXX	±0.005	CONNECTION DIAGRAM 30 FRAME SWITCH REDESIGN	SCALE 1=1	
4	UPDATED PER ISO7-0150	MD 01/23/07		.XXXX	±0.0005		MAT'L.	REF
				ANG	±1.0		FMF	
				RFP		CAD FILE 52A105383AA	PREV	
THIS DRAWING IN DESIGN AND DETAIL IS OUR PROPERTY AND MUST NOT BE USED EXCEPT IN CONNECTION WITH OUR WORK. ALL RIGHTS OF DESIGN AND INVENTION ARE RESERVED. THIS IS AN ELECTRONICALLY GENERATED DOCUMENT - DO NOT SCALE THIS PRINT				DIST		SIZE A	DRAWING NO. 52A105383AA	REV. 5